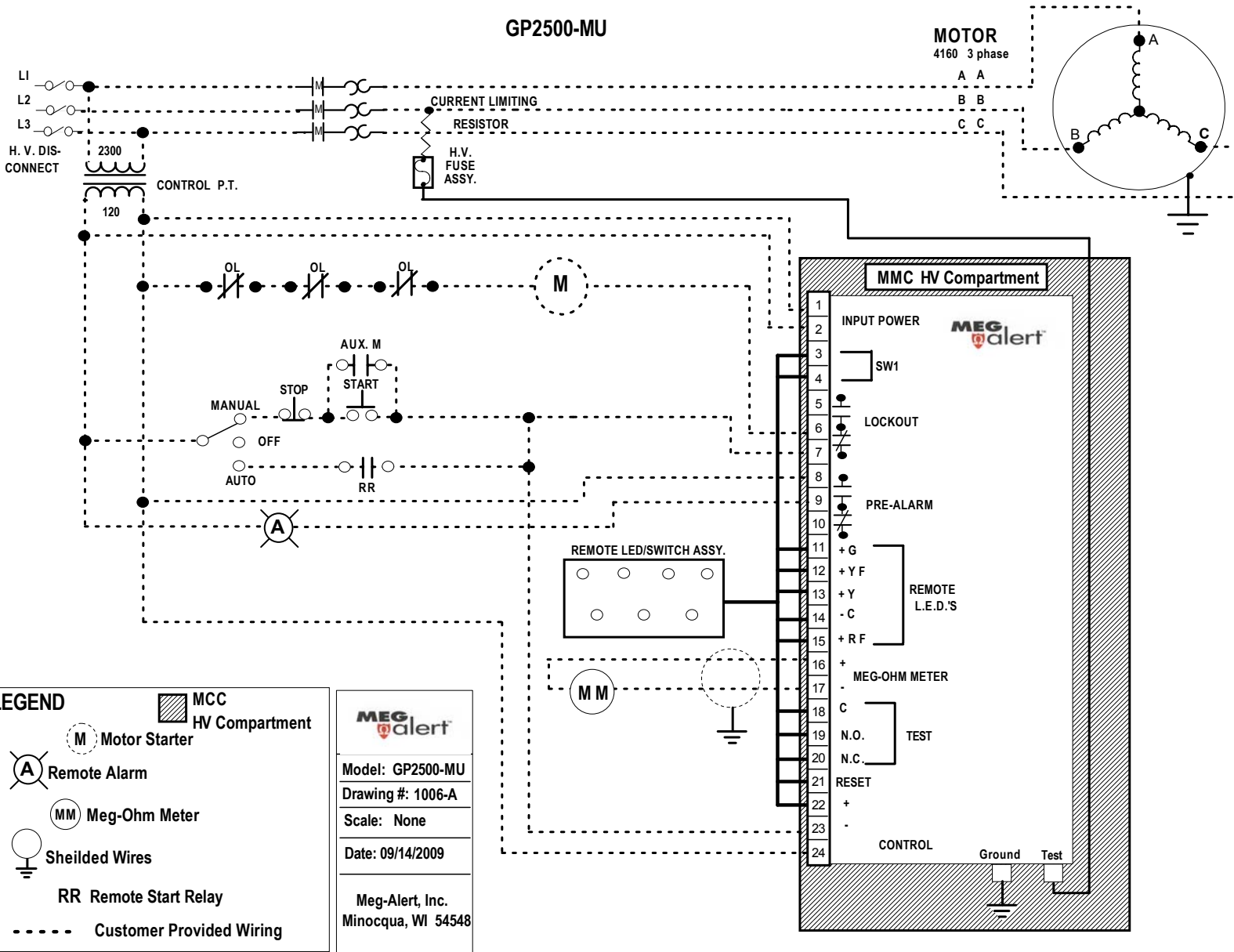


# GP2500-MU



**MOTOR**  
4160 3 phase

A A  
B B  
C C

**LEGEND**

- Motor Starter
- Remote Alarm
- Meg-Ohm Meter
- Shielded Wires
- Remote Start Relay
- Customer Provided Wiring
- MCC HV Compartment

**MEG alert**

Model: GP2500-MU  
 Drawing #: 1006-A  
 Scale: None  
 Date: 09/14/2009

Meg-Alert, Inc.  
 Minocqua, WI 54548