

# MEGalert™

Safety By Choice  
Reliability By Design

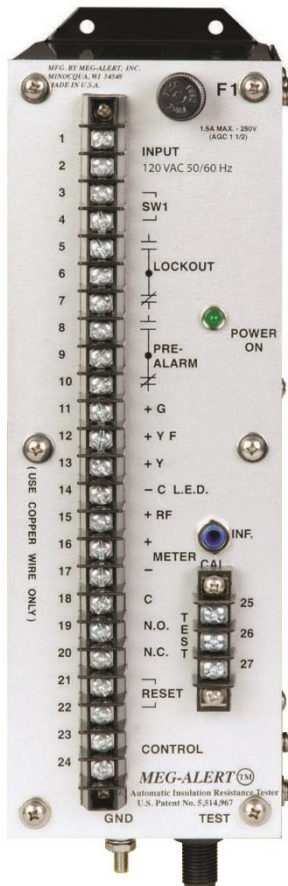
## Cable & Transformer Protection

GP2500-CG-AS  
GP5000-CG-AS



## CABLE guard™

- Shore Power Cables
- Shore Power Plugs and Receptacles
- Power Feed Cables and Busses
- Distribution/Isolation Transformers



**Reduce Risk  
to Save Lives**



Automatic Insulation Resistance Tester that monitors and protects critical-duty cable and transformer circuits



## Features: Model GP2500-G-AS GP5000-G-AS

- Auto/Manual test operation
- Adjustable alarm and pre-alarm set points
- Latching alarm contacts with manual reset
- Pre-alarm contacts with auto reset
- Full 2500/5000 VDC test voltage
- Fused input and HV test lead
- 15 ft. two-way current-limited H.V. test lead w/plug
- Non-corrosive, lightweight enclosure
- Remote Calibration and system test switch
- Long-life, flashing remote LED/switch assembly w/15 ft. cable
- 1% Panel meter with 4" color coded dial
- Test lead with current limit resistor—15' length
- 10 Year Warranty

## Optional Features:

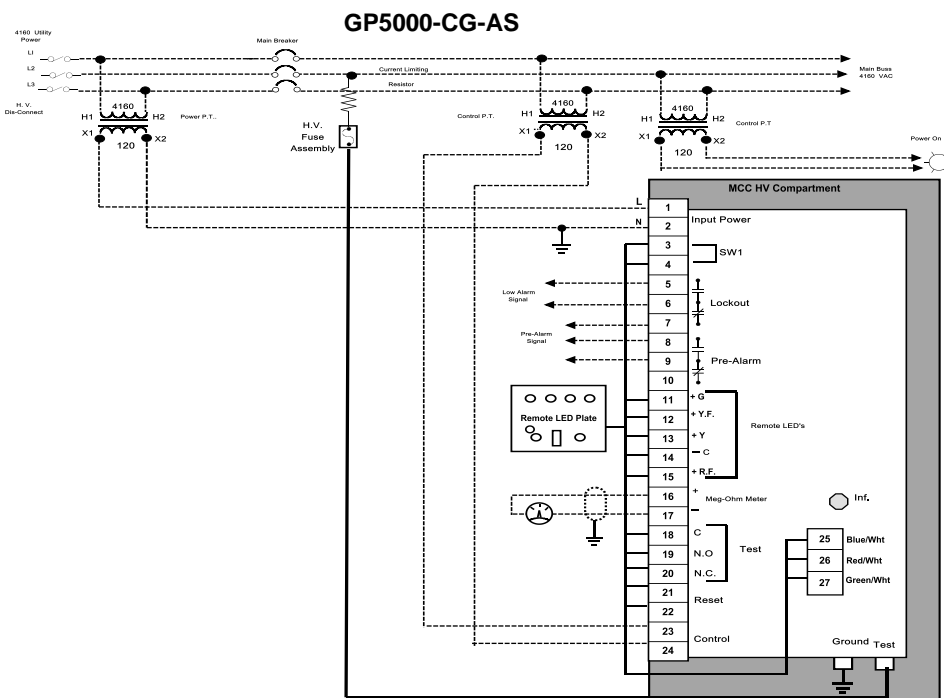
- Digital meter with 4-20 mA output signal
- 4-20 mA transducer
- EZ-Mount bracket for switch assembly
- Side mount bracket

## SPECIFICATIONS: Model GP2500-G-AS GP5000-G-AS

Input Voltage: 120 VAC, (optional 240 VAC), 50/60 Hz  
 Input Current: .15 A max. @ 120 VAC  
 Test Voltage: 2500/5000 VDC @ 350 µA max.  
 Maximum Line Voltage: 7200 V RMS  
 Control Sensing: N/O Contact or 120 VAC, 50/60 Hz  
 Alarm Time Delay: 0 – 2 Minutes  
 Alarm/Lockout Contacts: 1 Form C, 5A @ 240 VAC or 28 VDC  
 Pre-Alarm Contact: 1 Form C, 5A @ 240 VAC or 28 VDC  
 LED Display: Power On: Green  
 Test On: Yellow  
 Pre-Alarm: Yellow Flashing  
 Alarm: Red Flashing  
 Meter Output: 1% Analog Signal  
 Accuracy: 1% Overall  
 Ambient Temperature: -20° F to 140° F  
 Size: 12" H x 4" W x 8.50" D  
 Weight: 7.5 lbs.  
 Assembly: Meets UL 508/61010 specifications

## Operation:

CableGuard applies a current limited, fixed DC voltage to the cable circuit during idle periods. A solid state comparator circuit monitors measured leakage current to the ground. Two adjustable set points, factory preset to customer specifications, can be programmed to signal a pre-alarm, alarm and lockout the equipment from operating if the low set point is exceeded. The manual reset feature enables a return to operational status only after the alarm condition has been corrected. CableGuard will not impair normal operation of the equipment being monitored.



## Typical Wiring Diagram

In addition to a wide variety of standard in-stock systems, our engineers will work with you on custom applications. Call the factory for details.

8766 Frank Drive  
 Minocqua, WI 54548 USA  
 715-356-1499  
 sales@megalert.com  
 service@megalert.com  
 www.MegAlert.com

U.S. Patents

9,664,716 – 9,977,067 – 10,782,357

