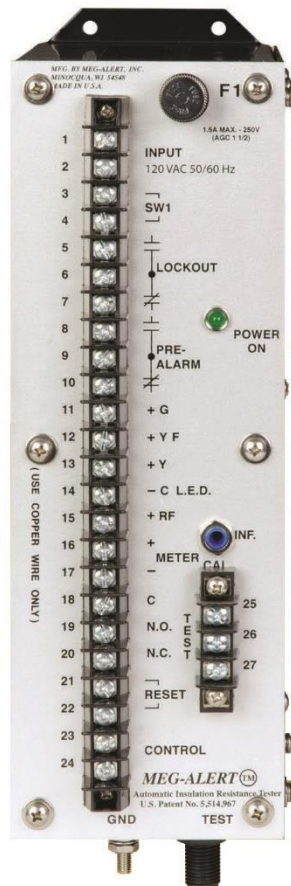




MOTOR guard™

- AC Induction Motors
- AC Synchronous Motors
- Wound Rotor Motors



**Reduce Risk
to Save Lives**



Automatic Insulation Resistance Tester that monitors and protects critical-duty motors



Features: Model GP2500-MU-AS GP5000-MU-AS GP5000-MU-HV-AS

- Single Motor Model
- Auto/Manual test operation
- Adjustable alarm set point
- Adjustable pre-alarm set point
- Latching alarm contacts with manual reset
- Fused input and H.V. test lead
- 15 ft. two-way current-limited H.V. test switch
- 2500 VDC/5000 VDC test voltage
- Remote Calibration and system test switch
- Long-life, flashing remote LED/switch assembly w/ 15 ft. cable
- 1% Panel meter with 4" color coded dial
- 10 Year Warranty

Optional Features:

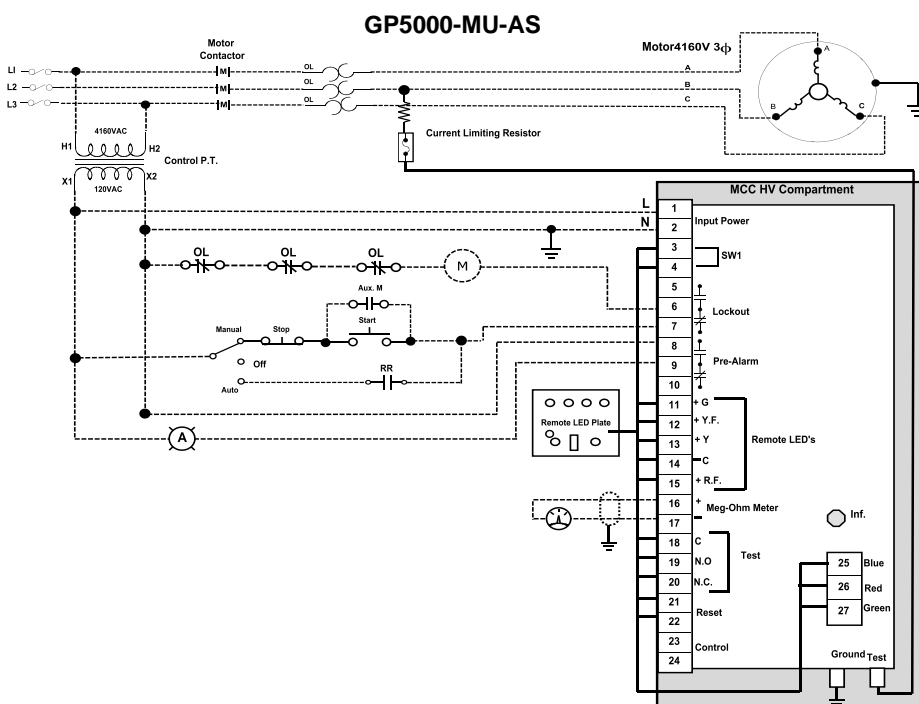
- Digital meter with 4-20 mA output signal
- 4-20 mA transducer
- EZ-Mount bracket for switch assembly

SPECIFICATIONS: Model GP2500-MU-AS GP5000-MU-AS GP5000-MU-HV-AS

- Input Voltage: 120 VAC, (optional 240 VAC), 50/60 Hz
- Input Current: .15 A max. @ 120 VAC
- Test Voltage: 2500/5000 VDC @ 350 µA max.
- Maximum Line Voltage: 7500 V RMS (HV model – 15 KV)
- Control Sensing: N/O Contact or 120 VAC, 50/60 Hz
- Alarm Time Delay: 0 – 2 Minutes
- Alarm/Lockout Contacts: 1 Form C, 5A @ 240 VAC or 28 VDC
- Pre-Alarm Contact: 1 Form C, 5A @ 240 VAC or 28 VDC
- LED Display: Power On: Green
Test On: Yellow
Pre-Alarm: Yellow Flashing
Alarm: Red Flashing
- Meter Output: 1% Analog Signal
- Accuracy: 1% Overall
- Ambient Temperature: -20° F to 140° F
- Size: 12" H x 4" W x 8.50" D
- Weight: 7.5 lbs.
- Assembly: Meets UL 508/61010 specifications

Operation:

MotorGuard applies a current limited, fixed DC voltage to the motor windings during idle periods. A solid state comparator circuit monitors measured leakage current to the ground. Two adjustable set points, factory preset to customer specifications, can be programmed to signal a pre-alarm, alarm and lockout the equipment from operating if the low set point is exceeded. The manual reset feature enables a return to operational status only after the alarm condition has been corrected. MotorGuard will not impair normal operation of the equipment being monitored.



Typical Wiring Diagram

In addition to a wide variety of standard in-stock systems, our engineers will work with you on custom applications. Call the factory for details.

8766 Frank Drive
Minocqua, WI 54548 USA
715-356-1499
sales@megalert.com
service@megalert.com
www.MegAlert.com

U.S. Patent 9,664,716 – 9,977,067



 MegAlert, Inc. 715-356-1499	Legend Remote Alarm Meg-Ohm Meter Motor Starter Shelld Wires Customer Provided Wiring	MCC HV Compartment Drawn By: KM Delamater Checked: R. Zelm	GP5000-MU-AS Typical Wiring Diagram	Date: 10/9/2019 Scale: None
------------------------------------	---	--	---	--------------------------------