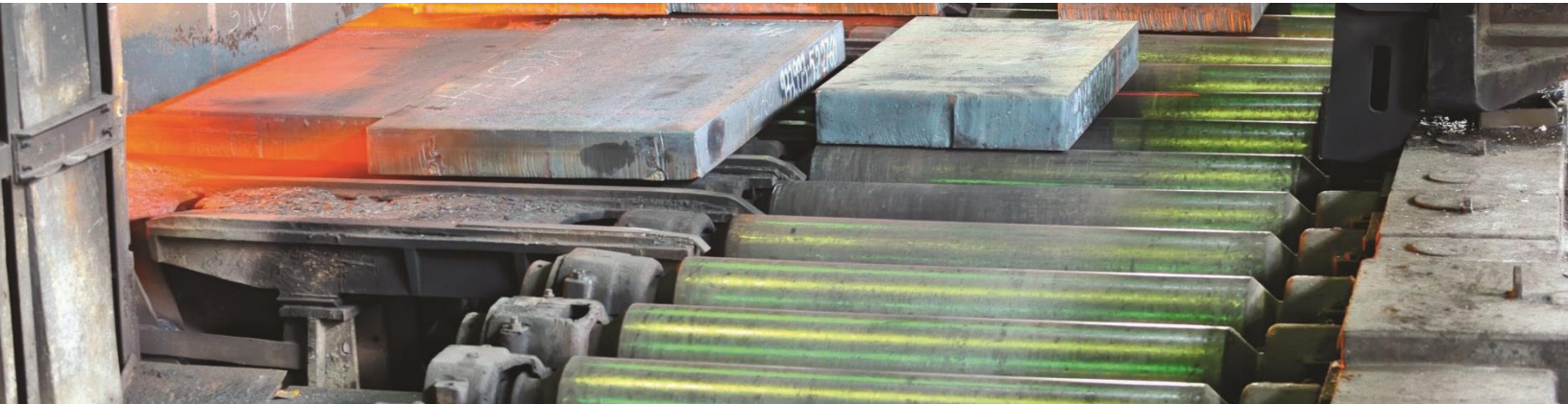


# MEGalert™

Safety By Choice  
Reliability By Design

## Motor & Generator Protection

### GP500/1000-M-DC

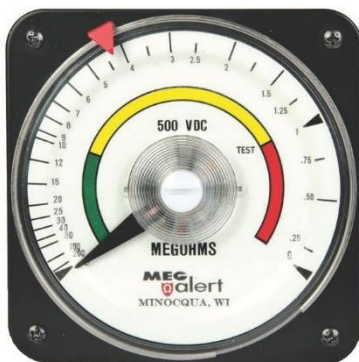


## MOTOR guard™

- AC Synchronous Motors
- DC Motors
- Wound Rotor Motors
- Servo Motors



**Reduce Risk  
to Save Lives**



Automatic Insulation Resistance Tester that monitors and protects critical-duty motors



## Features: Model GP500/1000-M-DC

- DC Motor model (Single Motor) (AC/DC)
- Auto/Manual test operation
- Adjustable alarm set point
- Latching Low-alarm contacts with manual reset
- Fused input and test lead output
- 500/1000 VDC test voltage
- Calibration and system test switch
- Long-life, remote LED/switch assembly
- 1% Meg ohm meter with 4" color coded dial
- 10 Year Warranty

## Optional Features

- 2% panel meter with color coded dial
- Digital meter with 4-20 mA output signal
- 4-20 mA transducer
- Pre-alarm set point with contacts

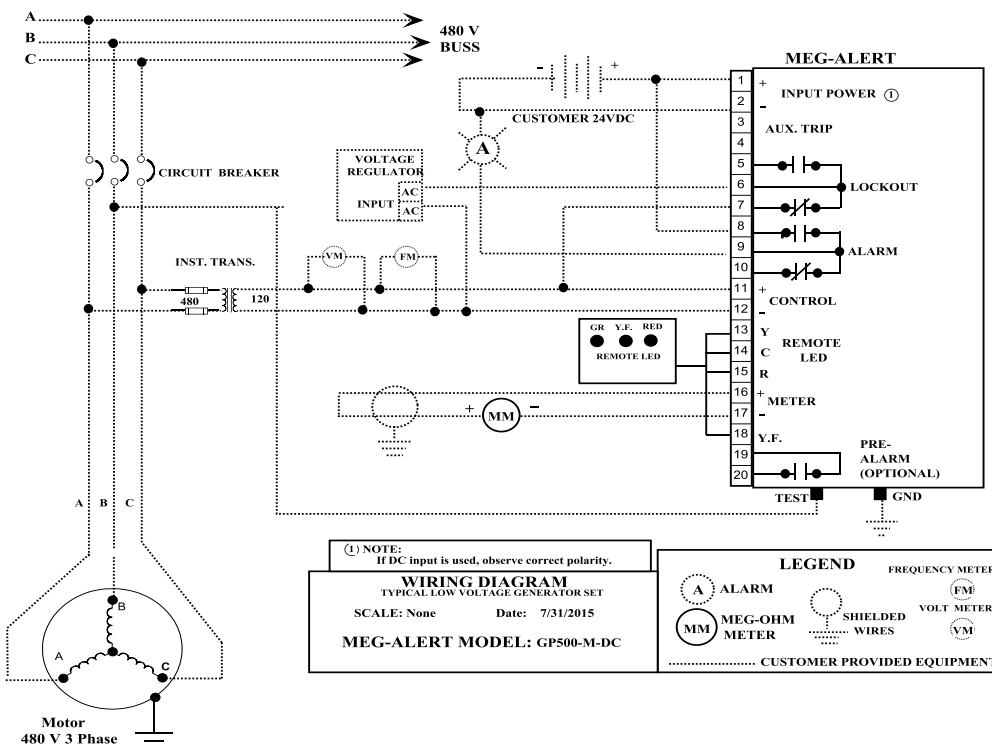
## SPECIFICATIONS: Model GP500/1000-M-DC

Input Voltage: 24 VDC  
 Input Current: .68 A max. @ 24 VDC  
 Test Voltage: 500/1000 VDC @ 200 µA max.  
 Maximum Line Voltage: 1000 V RMS  
 Control Sensing: 120 VAC, 50/60 Hz or 24 VDC  
 Alarm Time Delay: 0 - 10 Seconds  
 Alarm/Lockout Contacts: 2 Form C, 5A @ 240 VAC or 28 VDC  
 Pre-Alarm Contact: 1 Form C, 5A @ 240 VAC or 28 VDC  
 LED Display: Test On: Green  
 Pre-Alarm: Yellow Flashing (optional)  
 Alarm: Red Flashing  
 Meter Output: 1% Analog Signal (0-200 uA DC)  
 Accuracy: 1% Overall  
 Ambient Temperature: -20° F to 140° F  
 Size: 4" H x 12" W x 8" D  
 Weight: 4.8 lbs.  
 Assembly: Meets UL 508/61010 specifications

## Operation:

MotorGuard applies a current limited, fixed DC voltage to the motor windings during idle periods. A solid state comparator circuit monitors measured leakage current to the ground. Two adjustable set points, factory preset to customer specifications, can be programmed to signal a pre-alarm, alarm and lockout the equipment from operating if the low set point is exceeded. The manual reset feature enables a return to operational status only after the alarm condition has been corrected. MotorGuard will not impair normal operation of the equipment being monitored.

GP500-M-DC



## Typical Wiring Diagram

In addition to a wide variety of standard in-stock systems, our engineers will work with you on custom applications. Call the factory for details.

8766 Frank Drive  
 Minocqua, WI 54548 USA  
 715-356-1499  
 sales@megalert.com  
 service@megalert.com  
 www.MegAlert.com  
 U.S. Patents

9,664,716 – 9,977,067 – 10,782,357

