



GENguard™

- Wind Turbine Generators
- AC Induction Generators
- DC Generators



**Reduce Risk
to Save Lives**



Automatic Insulation Resistance Tester that monitors and protects critical-duty generators



Features: Model GP500-WG-AS

- Auto/Manual test operation
- Adjustable alarm set point
- Latching alarm contacts with manual reset
- Fused input and test output
- 500 VDC test voltage
- 1% Switchboard meter with 4" color coded dial
- Long-life, remote LED assembly
- Compact, lightweight enclosure
- DIN Rail mounting bracket
- 10 Year Warranty

Optional Features:

- 2% Panel Meg-Ohm meter with color coded dial
- 4-20 mA transducer
- Auto alarm reset

SPECIFICATIONS: Model GP500-WG-AS

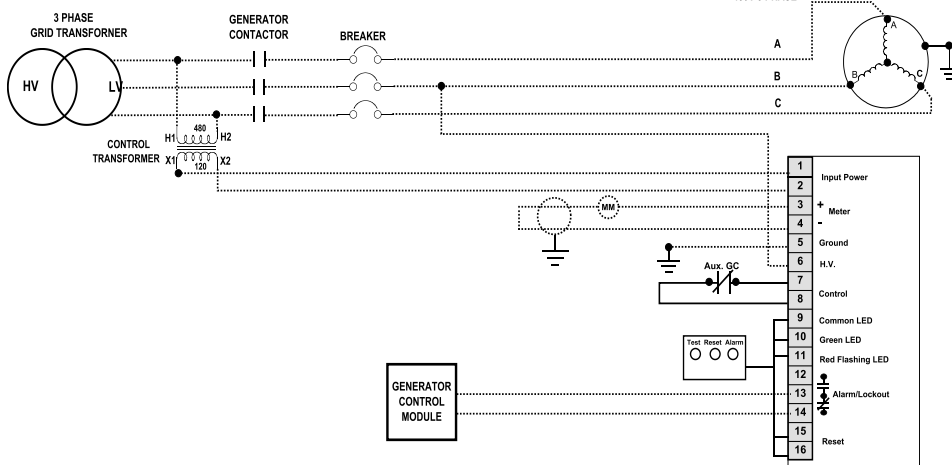
Input Voltage: 120 VAC, (optional 240 VAC), 50/60 Hz
 Input Current: .05 A max. @ 120 VAC
 Test Voltage: 500 VDC @ 200 µA max.
 Maximum Line Voltage: 750 V RMS
 Control Sensing: N/C Contact
 Alarm Time Delay: 0 - 15 Seconds
 Alarm/Lockout Contacts: 1 Form C, 5A @ 240 VAC or 28 VDC
 LED Display: Test On: Green
 Alarm: Red Flashing
 Meter Output: 1% Analog signal (Optional 2% meter)
 Accuracy: 2% Overall
 Ambient Temperature: -20° F to 140° F
 Size: 2.75" H x 2.85" W x 4.50" D
 Weight: 1 lbs.
 Assembly: Meets UL 508/61010 specifications

Operation:

GenGuard applies a current limited, fixed DC voltage to the generator's windings during idle periods. On four wire neutral grounded systems the ground interrupter automatically opens the neutral ground while the GenGuard is testing the windings. The ground interrupter safety circuit will not allow the generator to operate unless the neutral ground is closed. A solid state comparator circuit monitors measured leakage current to ground. Two adjustable set points, factory preset to customer specifications, can be programmed to signal a pre-alarm, alarm and lockout the equipment from operating if the low set point is exceeded. The manual reset feature enables a return to operational status only after the alarm condition has been corrected. GenGuard will not impair normal operation of the equipment being monitored.

GP500-WG-AS

WIND TURBINE GENERATOR
480V 3 PHASE



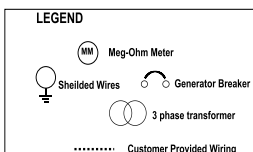
Typical Wiring Diagram

In addition to a wide variety of standard in-stock systems, our engineers will work with you on custom applications. Call the factory for details.

8766 Frank Drive
 Minocqua, WI 54548 USA
 715-356-1499
 sales@megalert.com
 service@megalert.com
 www.MegAlert.com

U.S. Patents

9,664,716 – 9,977,067 – 10,782,357



GP500-WG-AS Typical Wiring Diagram		DRAWN BY KM Delamater		DATE 5/17/2017
MEG alert Meg-Alert, Inc. 715-356-1499		CHECKED R. Zelm	SCALE None	SHEET NO. 1

