

# D1 DIGITAL Megohm Meter

Easy to Use. Easy to Read.

Below are visual examples of the dynamic backlight colors on these units.



### Part Numbers:

- |             |                                  |                |
|-------------|----------------------------------|----------------|
| GP7000-D1   | Larger Digital Switchboard Meter | 500 VDC Scale  |
| GP7000-1-D1 | Larger Digital Switchboard Meter | 1000 VDC Scale |
| GP7000-2-D1 | Larger Digital Switchboard Meter | 2500 VDC Scale |
| GP7000-5-D1 | Larger Digital Switchboard Meter | 5000 VDC Scale |

# D1 DIGITAL Megohm meter

## KEY FEATURES:

### Large multi-format display that incorporates:

- 60 segment bar graph display
- Large 4-digit display
- Separate Starburst display area for annunciators, custom messages and alarm information
- Full color RGB display and dynamic backlight alert

## Specifications:

**Input Current:** 0-200 uA

**Accuracy:** 0.1% of output or 5 uA, whichever is greater

### Environmental:

Temperature: Operating -10 to +60 C

Temperature: Storage -40 to +70 C

IP rating (from the front): IP52 AND NEMA 5

### Power Supply:

Universal (AC) 100 – 240 VAC (50-60Hz)

### Display:

Number of Digits: 4

Digit Height: 14.5mm [0.57"]

Number of Message Characters: 4

Backlit Colors: Green, Yellow, Red

LCD Display: Positive or Negative

### Outputs:

Analog Output: 1 – 20 mA

**Certification:** UL cUL, CEtt

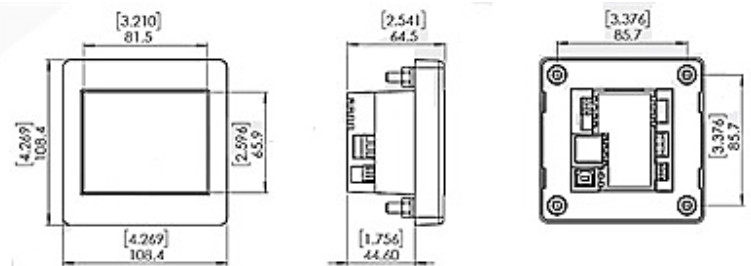
## Programmable:

- Scaling and Range (min and max)
- Custom annunciators
- User selectable backlight color and intensity
- Two independent alarm set-points
- Two independent outputs
- 4-20mA analogue monitor output

## Visibility:

- User adjustable backlight brightness and color
- Large Display
- Wide viewing angle (both horizontal and vertical)
- Custom annunciators

## Dimensions:

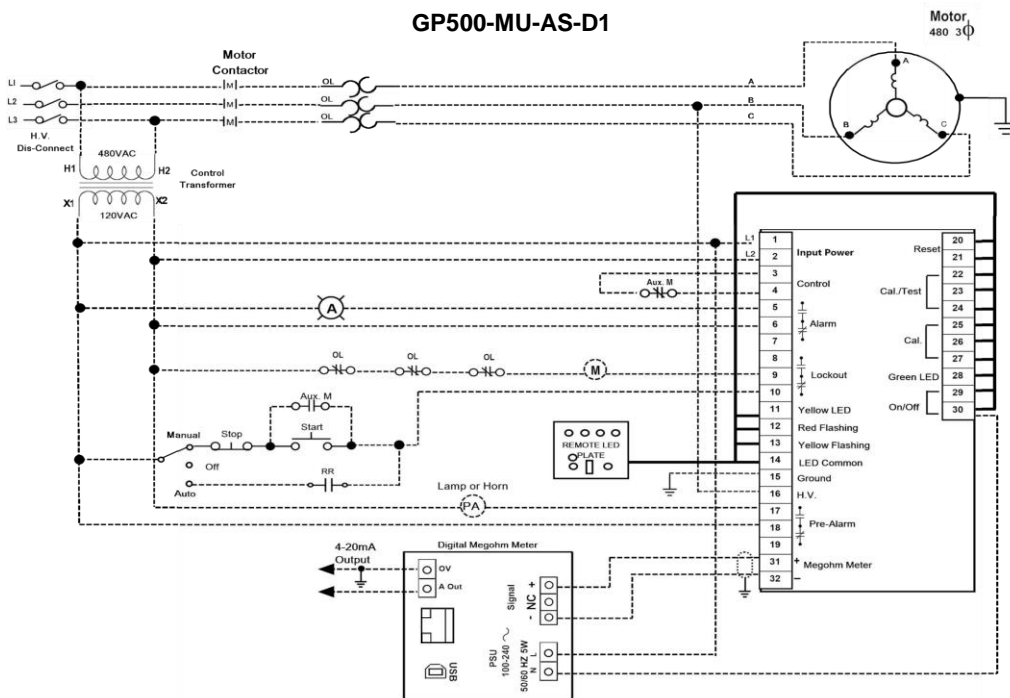


Panel cutout: Square: 68mm x 68mm [2.7" x 2.7"] Circle Diameter: 96mm [3.8"]

## Part Numbers:

- GP7000-D1 500 VDC Scale
- GP7000-1-D1 1000 VDC Scale
- GP7000-2-D1 2500 VDC Scale
- GP7000-5-D1 5000 VDC Scale

## GP500-MU-AS-D1



## Typical Wiring Diagram

In addition to a wide variety of standard in-stock systems, our engineers will work with you on custom applications. Call the factory for details.

8766 Frank Drive  
Minocqua, WI 54548 USA  
715-356-1499  
sales@megalert.com  
service@megalert.com  
www.MegAlert.com

U.S. Patent 9,664,716 – 9,977,067

